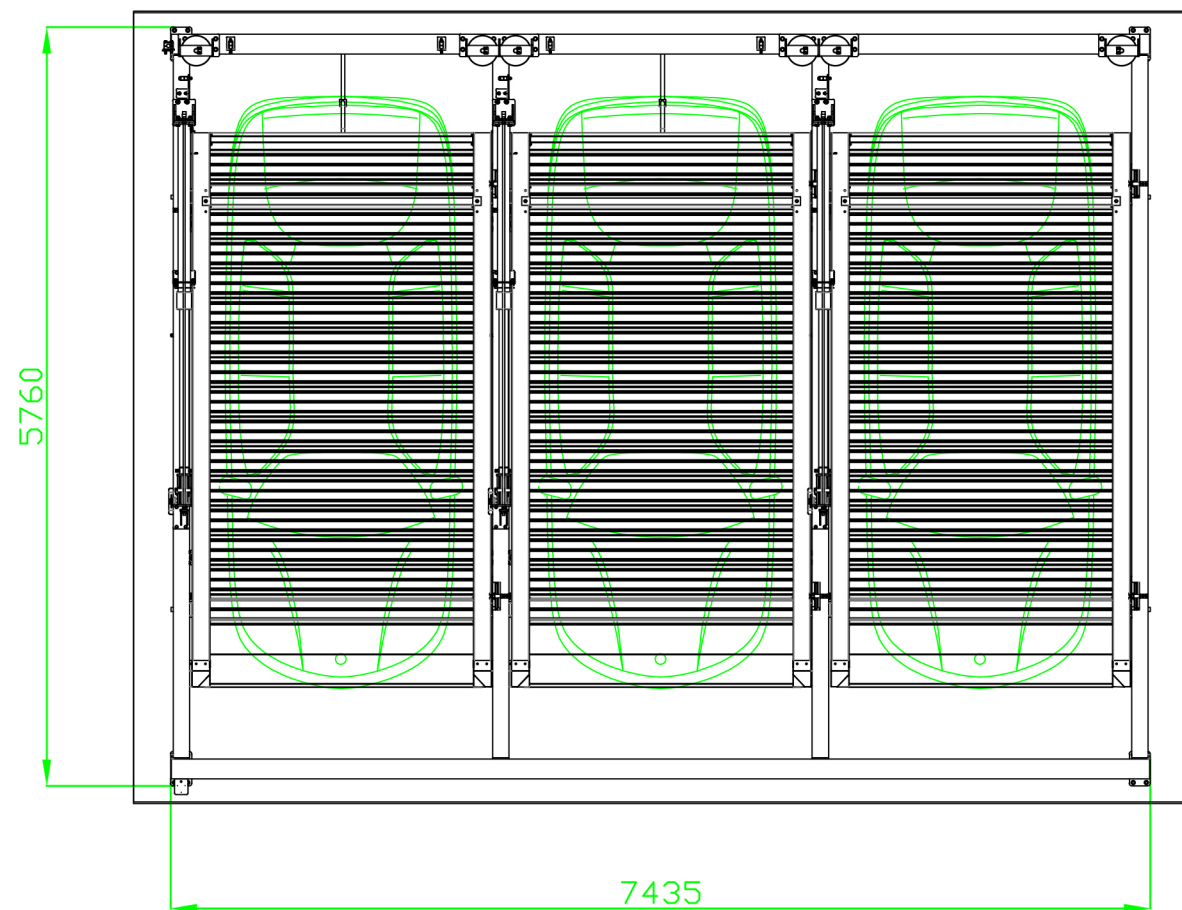
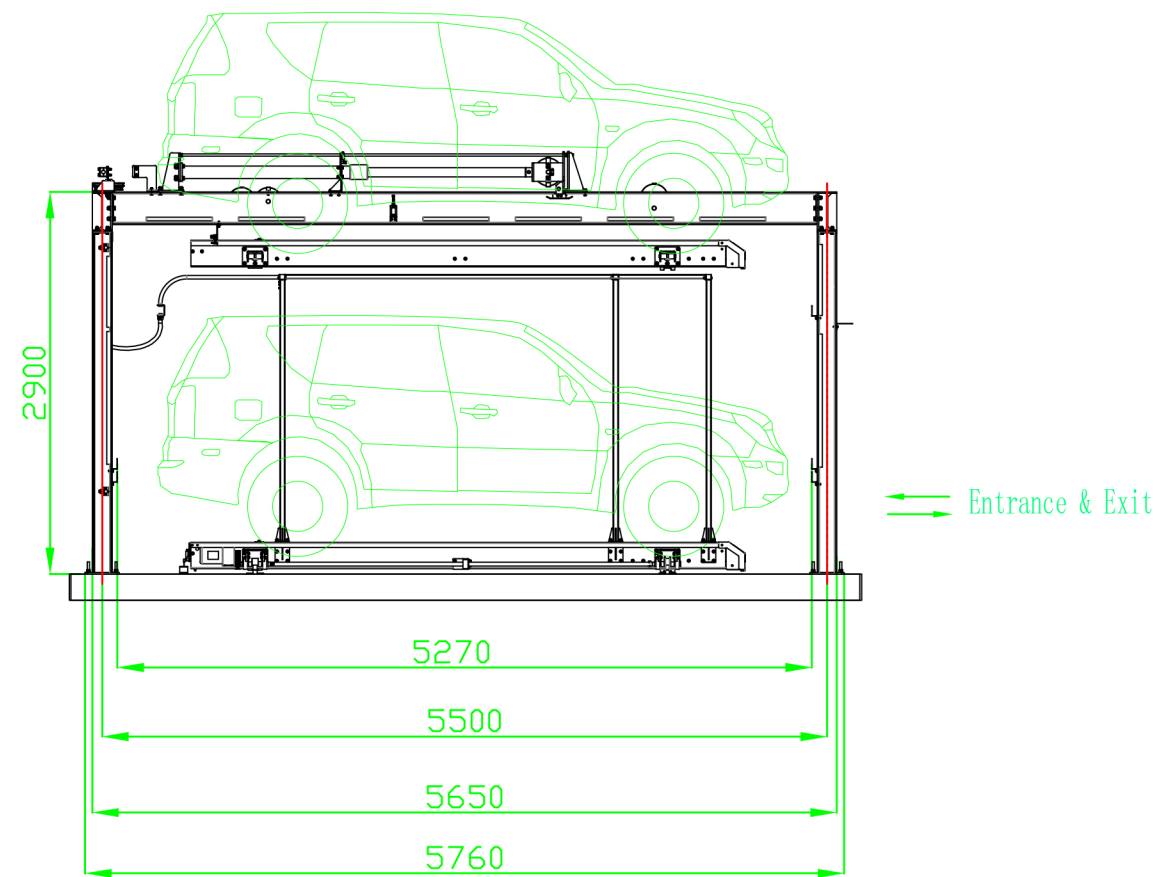
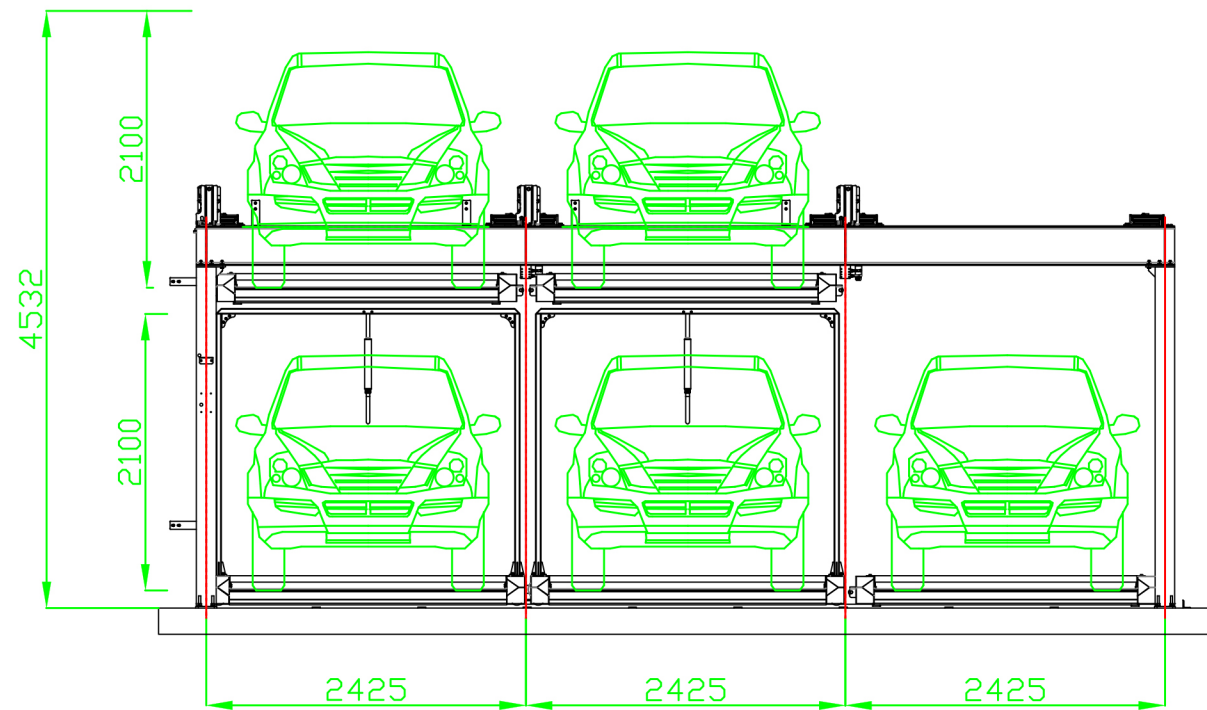




Unit	Group	Quantity
BDP-2PL-9	1	9
BDP-2PL-17	12	204
BDP-2PL-23	8	184
BDP-2PL-25	2	50
		447

Entrance & Exit



Project: Heliopolis	
Type: BDP-2PL	
Parking vehicles: 5	
Single vehicles weight ( $\leq 2500$ kg)	
Size of car	Length $\leq 5000$ mm
	Width $\leq 1850$ mm
	Height $\leq 2050$ mm
Pump motor: 4.0 kw	
Lifting speed: $\leq 8 - 12$ m/min	
Sliding speed: $\leq 8$ m/min	
Electricity: 380V 50Hz 3 phases 220V 50Hz 1 phases	
Projection Mode:	
Ratio: 1:1	

# Heliopolis Parking System

Mechanical Car Parking System Lay-out Plan  
PPS Parking 447 Cars



**ATECO CORPORATION**

اتیکو کورپوریشن